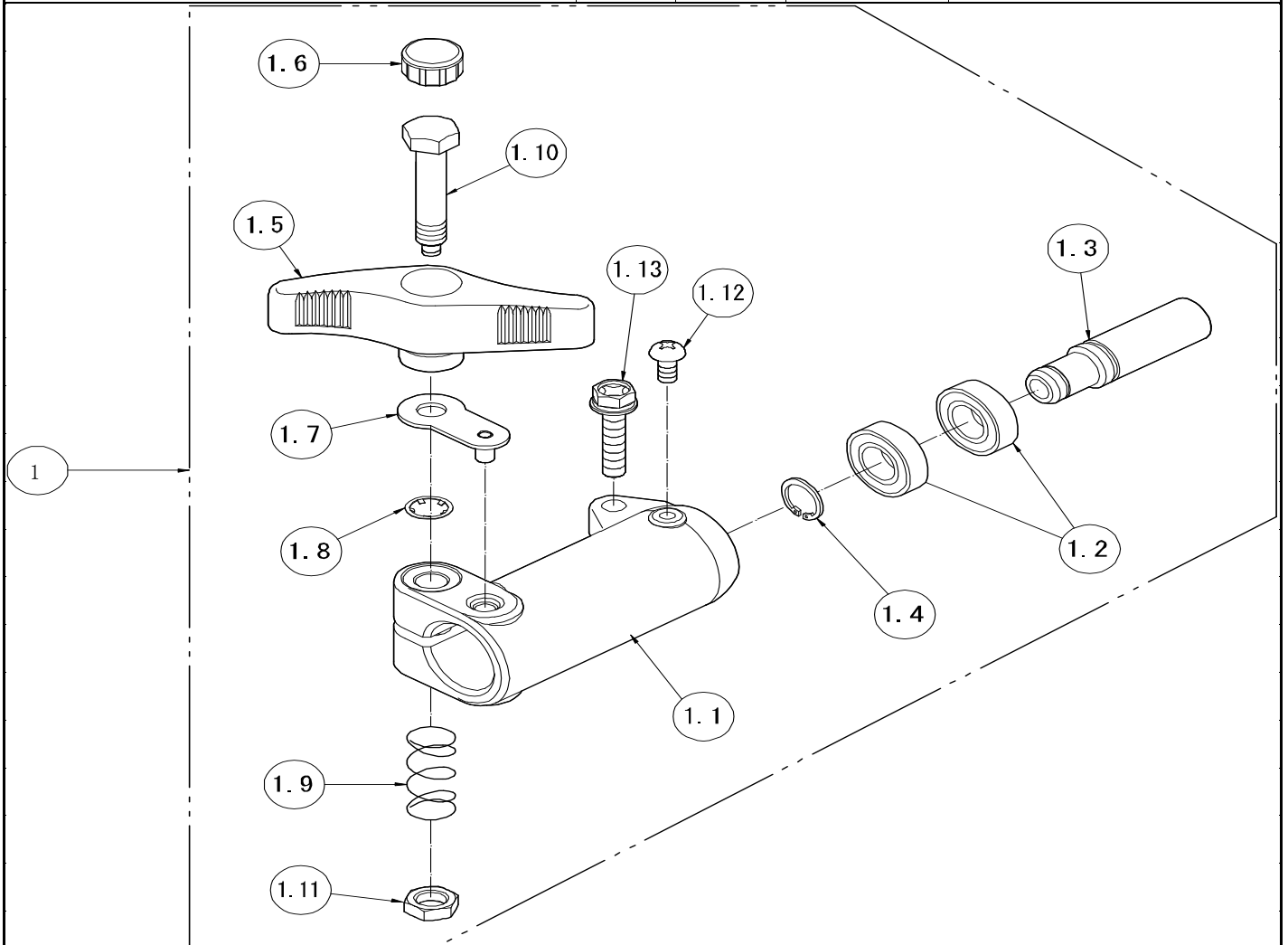
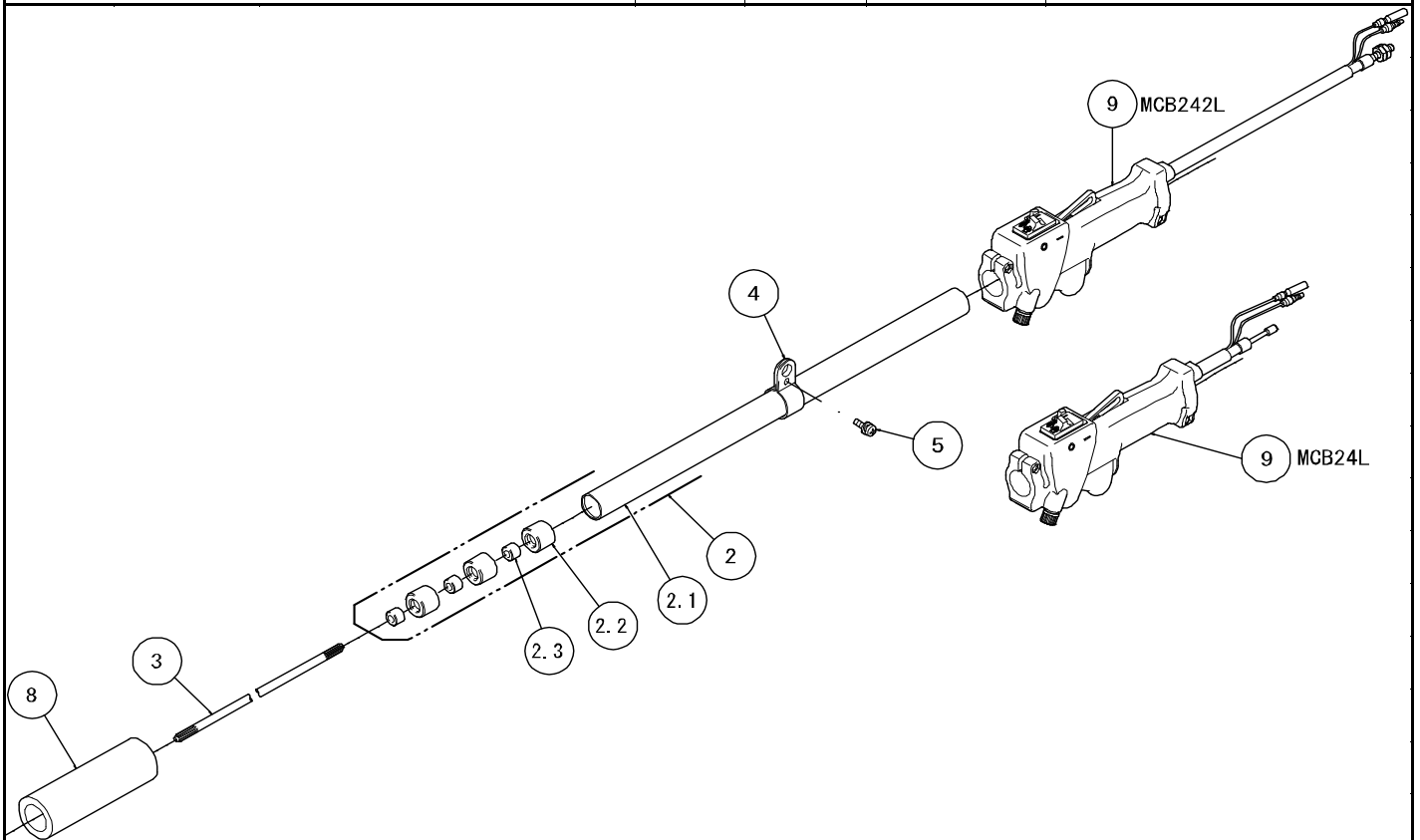


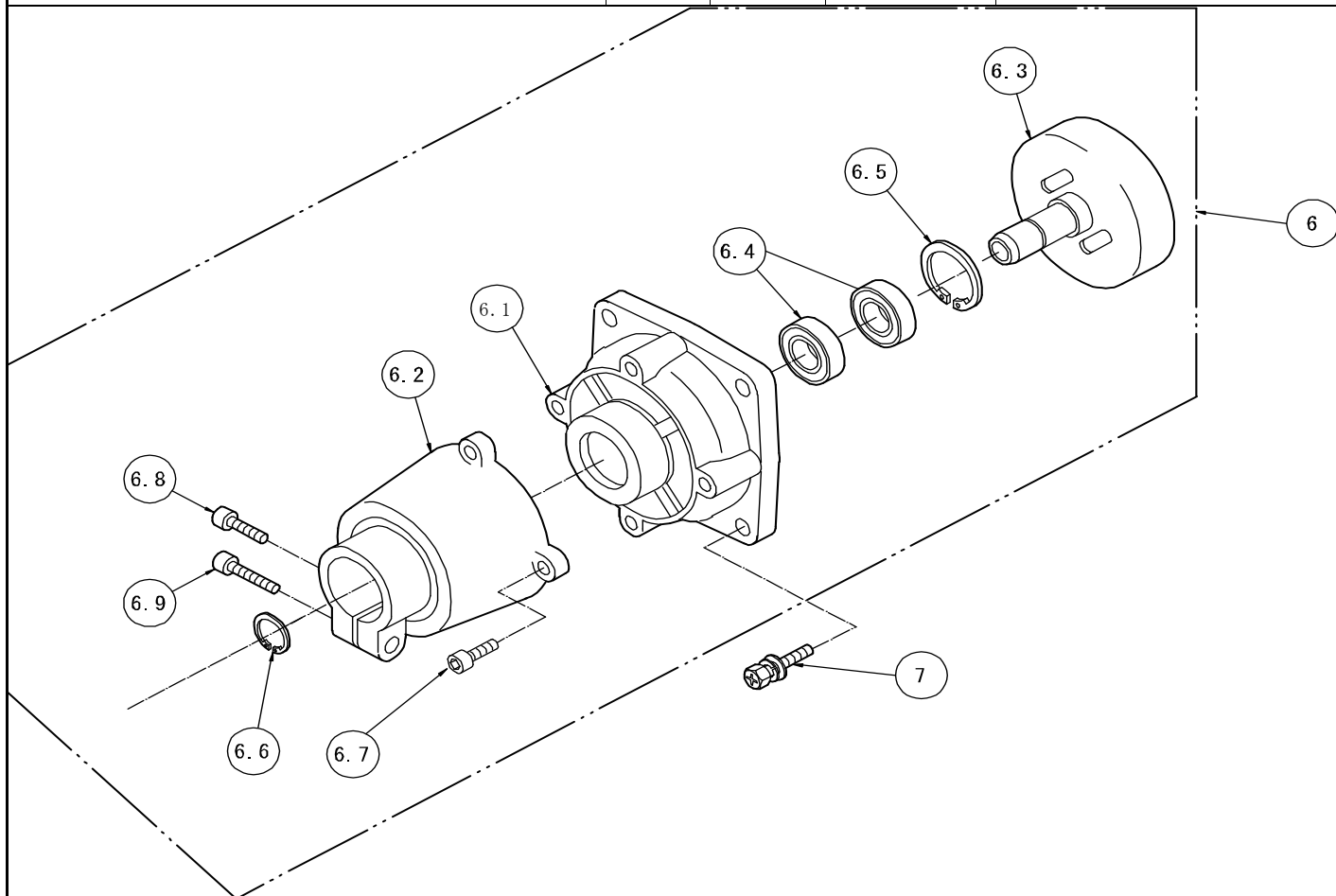
REF No.	CODE	NAME	QTY		REMARKS
			MCB24L	MCB242L	
1	800202926	CONNECTOR ASS'Y	1	1	φ 24
2	800202932	DRIVE SHAFT HOUSING ASS'Y	1	1	φ 24×783
3	801694337	DRIVE SHAFT	1	1	φ 7×791
4	800200000	HANGER STRAP STEM	1	1	φ 24
5	800200001	SCREW	1	1	M6×12 (+)2P
6	800200544	CLUTCH CASE ASS'Y	1	1	
7	800200011	BOLT	4	4	M6×20 (+)3P
8	800201090	GRIP	1	1	
9	801685470	THROTTLE LEVER ASS'Y	1		φ 24 (ENGINE:TJ27, TU26)
	801695882	THROTTLE LEVER ASS'Y		1	φ 24 (ENGINE:TJ27E, GX25, TLE26 VERS. EMISSION EURO2)
10	800201168	LABEL	1	1	98×20
11	800200019	LABEL	1	1	7×35
13	801667186	HARNESS ASSY	1	1	
14	801688381	EYE PROTECTOR	1	1	
15	800200023	SPANNER	1	1	10×8
16	800200022	SPANNER	1	1	#4
17	801689042	SPANNER	1	1	13×19
18	800200113	SPANNER		1	16×19 (ENGINE:GX25)
19	800200111	CORD ASS'Y		1	80mm (ENGINE:GX25)
20	800200034	SCREW		1	M5×10 (+)2P (ENGINE:GX25)
21	800200025	BAG	1	1	
22	800200026	BAG	1	1	



REF No.	CODE	NAME	QTY		REMARKS
			MCB24L	MCB242L	
1	800202926	CONNECTOR ASS'Y	1	1	φ 24
1, 1	800200797	CONNECTOR	1	1	φ 24
1, 2	800202927	BEARING	2	2	6901ZZ
1, 3	800203616	CONNECTOR ASS'Y	1	1	
1. 4	800200540	STOP RING	1	1	S-12
1. 5	800200796	KNOB	1	1	
1. 6	800202852	CAP	1	1	
1. 7	800202976	KNOB PIN	1	1	
1. 8	801694339	STOP RING	1	1	#8
1. 9	800202930	SPRING	1	1	
1. 10	800202931	BOLT	1	1	
1. 11	801676323	NUT	1	1	M8
1. 13	800200034	SCREW	1	1	M5 × 10 (+) 2P
1. 14	800200035	BOLT	1	1	M6 × 30 (+) 3P



REF No.	CODE	NAME	QTY		REMARKS
			MCB24L	MCB242L	
2	800202932	DRIVE SHAFT HOUSING ASS'Y	1	1	$\phi 24 \times 783$
2.1	800202933	DRIVE SHAFT HOUSING	1	1	
2.2	801675694	METAL CUSHION	3	3	
2.3	801675695	OIL METAL	3	3	$\phi 7 \times \phi 14 \times 12$
3	801694337	DRIVE SHAFT	1	1	$\phi 7 \times 791$
4	800200000	HANGER STRAP STEM	1	1	$\phi 24$
5	800200001	SCREW	1	1	M6 $\times$ 12 (+) 2P
8	800201090	GRIP	1	1	
9	801685470	THROTTLE LEVER ASS'Y	1		$\phi 24$ (ENGINE:TJ27)
	801695882	THROTTLE LEVER ASS'Y		1	$\phi 24$ (ENGINE:TJ27E, GX25, TLE26 / EUR02)



REF No.	CODE	NAME	QTY		REMARKS
			MCB24L	MCB242L	
6	800200544	CLUTCH CASE ASS'Y	1	1	
6.1	800200497	CLUTCH CASE	1	1	
6.2	800200501	CLUTCH CASE ASS'Y	1	1	
6.3	800200538	CLUTCH DRUM	1	1	φ 54
6.4	801676309	BEARING	2	2	6001ZZ
6.5	800200539	STOP RING	1	1	C-28
6.6	800200540	STOP RING	1	1	S-12
6.7	800200541	CAP BOLT	4	4	M5×14 2P
6.8	800200542	CAP BOLT	1	1	M5×12 2P
6.9	800200543	CAP BOLT	1	1	M5×20 2P
7	800200011	BOLT	4	4	M6×20 (+)3P